

Residential Garden Gate Closer

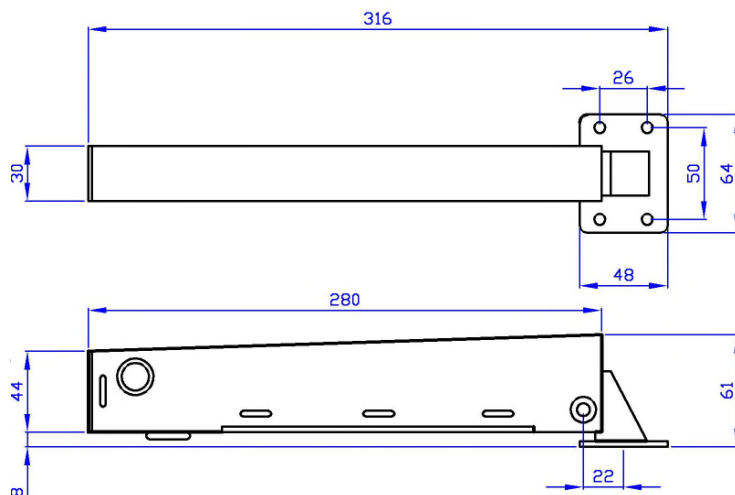
This is a perfect closer for applications where a simple to fit, fully featured garden gate closer is required.

The GCG2000 fits to flush gate and frame arrangements where the gate weight is up to 50kg, and width is no more than 1000mm and where the hinge is mounted to the corner of the post and the corner of the gate, such as a 'T' hinge or butt hinge.

Both the travel and latching speeds are fully adjustable, ensuring gates close in a controlled manner.

These closers are particularly suited to garden gates, picket gates, barrier gates & lightweight doors (non fire rated).

No specialist skills are required to fit the GCG2000 Gate Closer, as detailed step-by-step instructions are included.



Technical overview:

Material	Steel
Colour	Black
Finish	Powder coated
Max. opening angle	90 degrees
Max. gate weight	50kg
Max. gate width	1000mm
Types of gate material	Timber / metal
Gate closing speed	Adjustable
Gate latching speed	Adjustable

Residential Garden Gate Closer

INSTALLATION INSTRUCTIONS FOR GATE CLOSER

Maximum Gate Weight-50kg
Maximum Gate Width-1000mm

- The closer can be fitted to the top, middle or bottom of the gate on the "pull" side only.
- The gate face must be flush with the gatepost face and hinged as close as possible to the post.
- The pivot point of the closer must be in line with the pivot point of the hinges. It may be necessary to fabricate a bracket to allow the closer to be fitted correctly.
- The gate must swing freely on the hinges prior to fixing the closer and the hinges regularly greased.
- The guide roller must be fitted and it may be necessary to fabricate a bracket to receive the roller.
- The gate must not be allowed to open more than 90° and a ground stop must be fitted if required.
- The holding pin (see fig. 4) must not be removed until the closer is fitted.

