

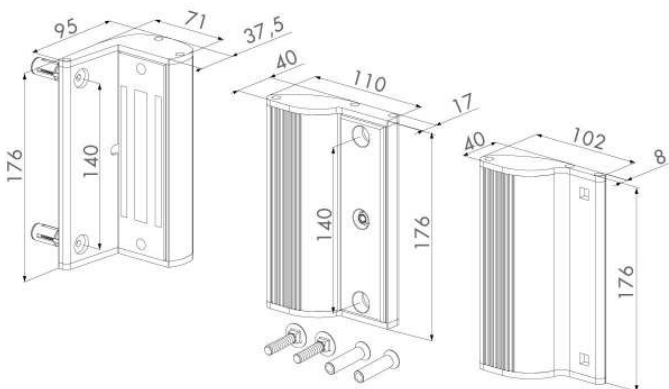
Locinox MAG2000 Gate Lock

With the Locinox MAG2000 you get everything you need to give your customer a durable and reliable electromagnetic lock, but at the same time a stylish appearance to compliment their gate.

Powder coated aluminium handles are included in the kit to make it easy to use and in one half of the handle set, the armature is neatly concealed.

Installation is simple and quick. There are just five holes to drill. No need for any welding kit on site because Quick-fix steel anchors are included to give a strong dependable mounting.

Whether you want 12V or 24V, you just connect the power supply to the appropriate connections.



Quick overview

- Holding force - 2000N (200kg)
- Voltage - 12/24V DC
- Current - 360mA (12V) 180mA (24V)
- Silver powder coated aluminium handles
- Armature concealed in handle
- Silver powder coated aluminium housing

Ordering detail

MAGLOCK001 - MAG2000 Electromag. lock