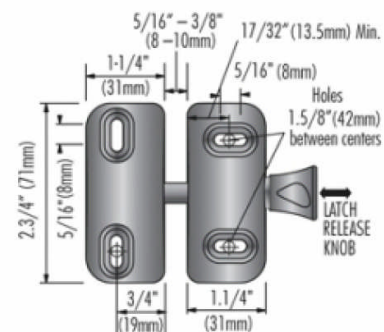
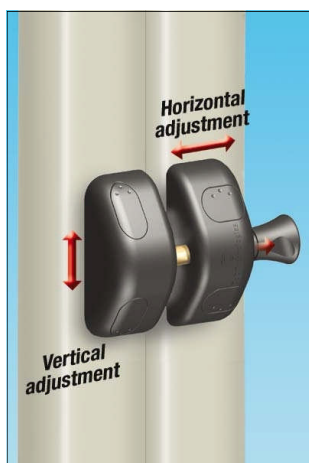


Magna-Latch Side Pull

The Magna-Latch Side Pull Model is an inexpensive, general-purpose, magnetic gate latch that offers simple effective latching for flush gates and posts whether in the home, garden or factory environment.

With a new and sleek design, it offers horizontal and vertical adjustment of up to 5/16" (8mm) for quick installation. The generous adjustment extends gate life by allowing the latch to be adjusted should gate sag or ground movement take place over time.

The Magna-Latch Side Pull Model is also available as a Glass Hardware Kit, designed to fit glass pool gates and 50mm (2") round posts.



GATELATCH006 - Magna-Latch Side Pull
GATELATCH009 - Magna-Latch Key Lockable Side Pull