

# SUREClose READYFit



## HIGH USE RETROFIT HINGE & CLOSER

+

## 2 YEAR WARRANTY



IDEAL FOR:

SCHOOLS

SECURITY GATES

ACCESS CONTROL GATES

PLAY AREAS

THEME PARKS

CHILDCARE CENTRES



**SUREClose®**

**READYFit**



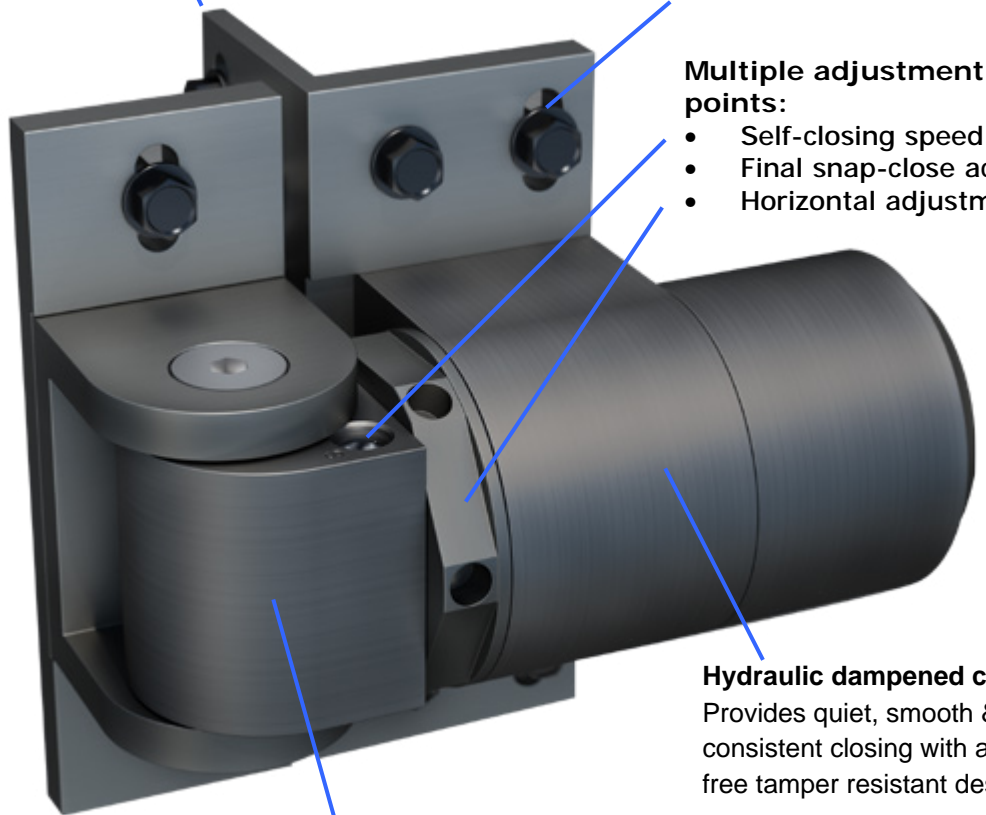
**SureClose ReadyFit is a surface mounted hinge & closer, in one small, powerfull package!**

**Quick-fit alignment legs:**  
Giving easy installation, alignment and two face fixing strength

**Vertical alignment slots**  
Fasteners included

**Multiple adjustment points:**

- Self-closing speed
- Final snap-close action
- Horizontal adjustment



**Hydraulic dampened closing:**  
Provides quiet, smooth & consistent closing with a leak-free tamper resistant design

**Dual thrust bearings:**  
Give smooth operation and high load bearing capability.



**ReadyFit Hinge & Closer Combined**



**ADJUSTABLE SELF-CLOSING SPEED AND FINAL SNAP-CLOSE ACTION**

**ReadyFit Hinge Without Closer**



**NON SELF-CLOSING LOAD BEARING HINGE**

## READYFit 108 SF

- **Self-closing action** - provides reliable closing for security and safety gates
- **Snap-close action** - makes hinge suitable for use with maglocks and latches
- **Adjustable self-closing speed** - stepless to suit particular requirements
- **Adjustable snap-close speed** - e.g. slow for maglocks and fast for latches
- **Steel brackets** - can be welded or screwed (Tek screws provided)
- **Alignment legs** - guarantee correct vertical alignment
- **Installation tools** - no special tools or large holes required
- **500,000 cycle test** - long-term reliability
- **Two year warranty** - confidence for customers and installers
- **Less noticeable** - much smaller size than other gate closers

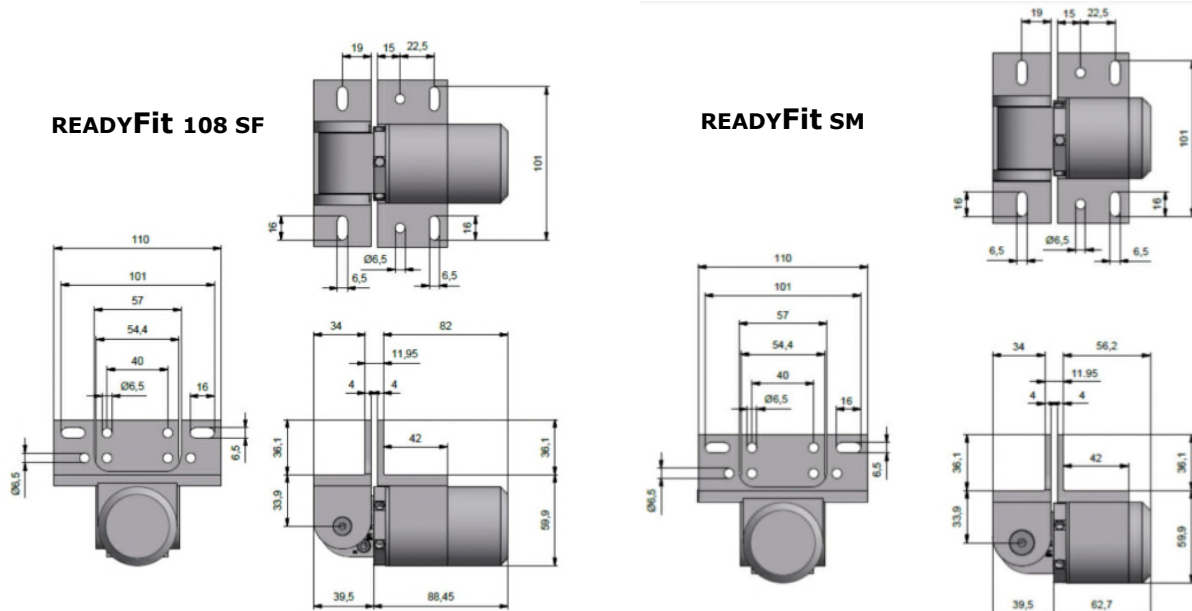


## READYFit SM

- **Pivoting hinge** - for use with 108 SF or as a pair of heavy duty hinges
- **680 kg (1500 lbs) point load** - ideal non self-closing hinge for heavy gates

| Hinge Combinations | Max. Self-Closing Gate Weight* | Weight Capacity   |
|--------------------|--------------------------------|-------------------|
| 108 SF + SM        | 80 kg / 180lbs                 | N/A               |
| 108 SF + 108 SF    | 120 kg / 260 lbs               | N/A               |
| SM + SM            | N/A                            | 680 kg / 1500 lbs |

\*CAUTION - capacity based upon max. gate size 1800 mm H x 1000mm W (72"Hx40"W). For gates with greater HxW, or if conditions such as wind play a role, use hinge combinations with higher self-closing weight ratings.



A gate stop must be fitted when using 108 SF type hinges to restrict opening angle to 90°. Failure to fit a stop voids warranty.

**For more information:**

**T. +44 (0)1634 819651**

**E. solutions@gatecontrolgear.com**

| Type   | Self Close | Max. Gate Swing | Final Snap Action | Hinge Gap           | Min. Fence Post |
|--------|------------|-----------------|-------------------|---------------------|-----------------|
| 108 SM | YES        | 90°             | YES               | 12-35 mm (½" - 1⅜") | 50 mm (2")      |
| SM     | NO         | 180°            | NO                | 12-35 mm (½" - 1⅜") | 50 mm (2")      |