

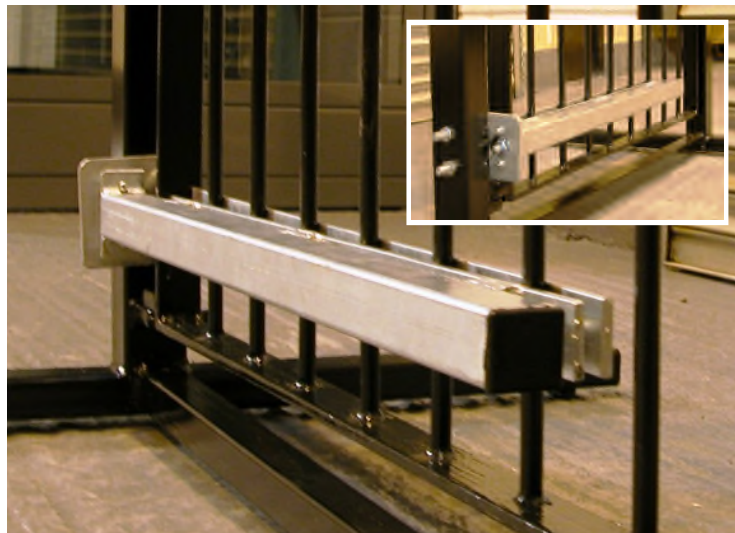
Vandal Resistant Gate Closer

Vandal Resistant Gate closers are an ideal mechanical closing system for pedestrian gates with in-line hinge arrangements. They can be fitted in conjunction with electromagnets, electric rim locks, digital push-button locks or other access control devices.

Vandal Resistant Gate Closers fit to vertical bar, bow top, wrought iron & timber gates. When fitting to steel gates, the gate closer post bracket and chassis can be fitted using screw fixings or welded to the post and gate.

It is simple to adjust the closing speed, which can only be altered when the gate is in the open position.

With up to 90 degrees of opening (depending upon the hinge configuration), high corrosion resistance, vandal resistant design, everyone appreciates this closer for its outstanding features and impressive performance of this pull action closer.



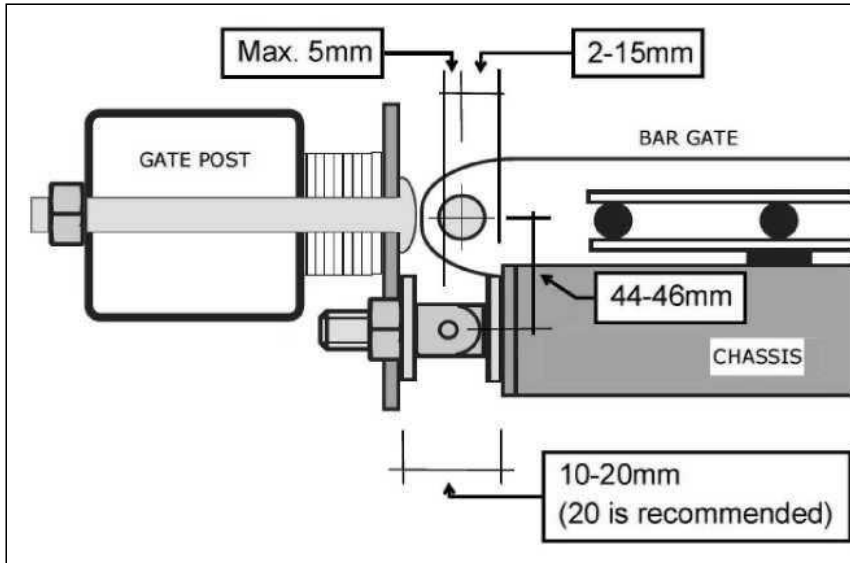
Technical overview:

Material	Steel
Colour	Silver
Finish	Galvanized
Max Opening Angle	Up to 90 Degrees
Max Gate Weight	80 kg
Max Gate Width	1.2m
Types of Gate Materials	Timber or Steel
Gate Closing Speed	Adjustable
Opening Hand Forces	Approx. 4-5kg

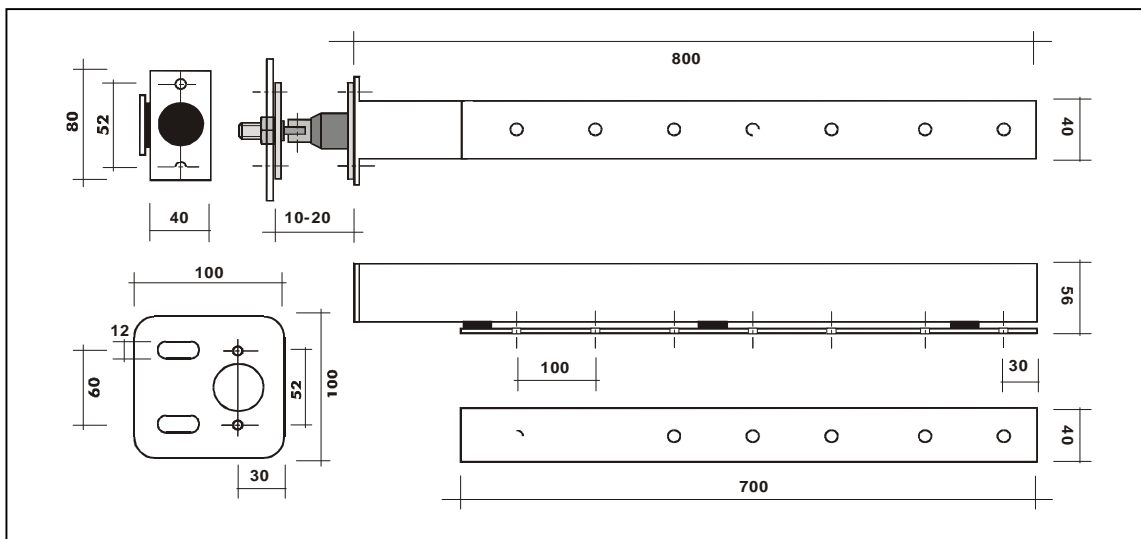
Optional finishes:

Powder coat paint finishes are available for quantity orders. Please contact us for further details.

Installation Arrangement (Fig 1)



Dimensions (Fig 2)



Kit Includes

- 1 x Concealed gate closer
- 1 x Concealed closer post counter plate
- 1 x Concealed closer connection eyelet
- 1 x Chassis
- 1 x Clamp plate
- 1 x Post mounting plate
- 2 x Post mounting plate fixing bolts
- 1 x Screw kit containing:
 - Countersunk fixing screws
 - Clamp plate bolts
 - Spacing washers